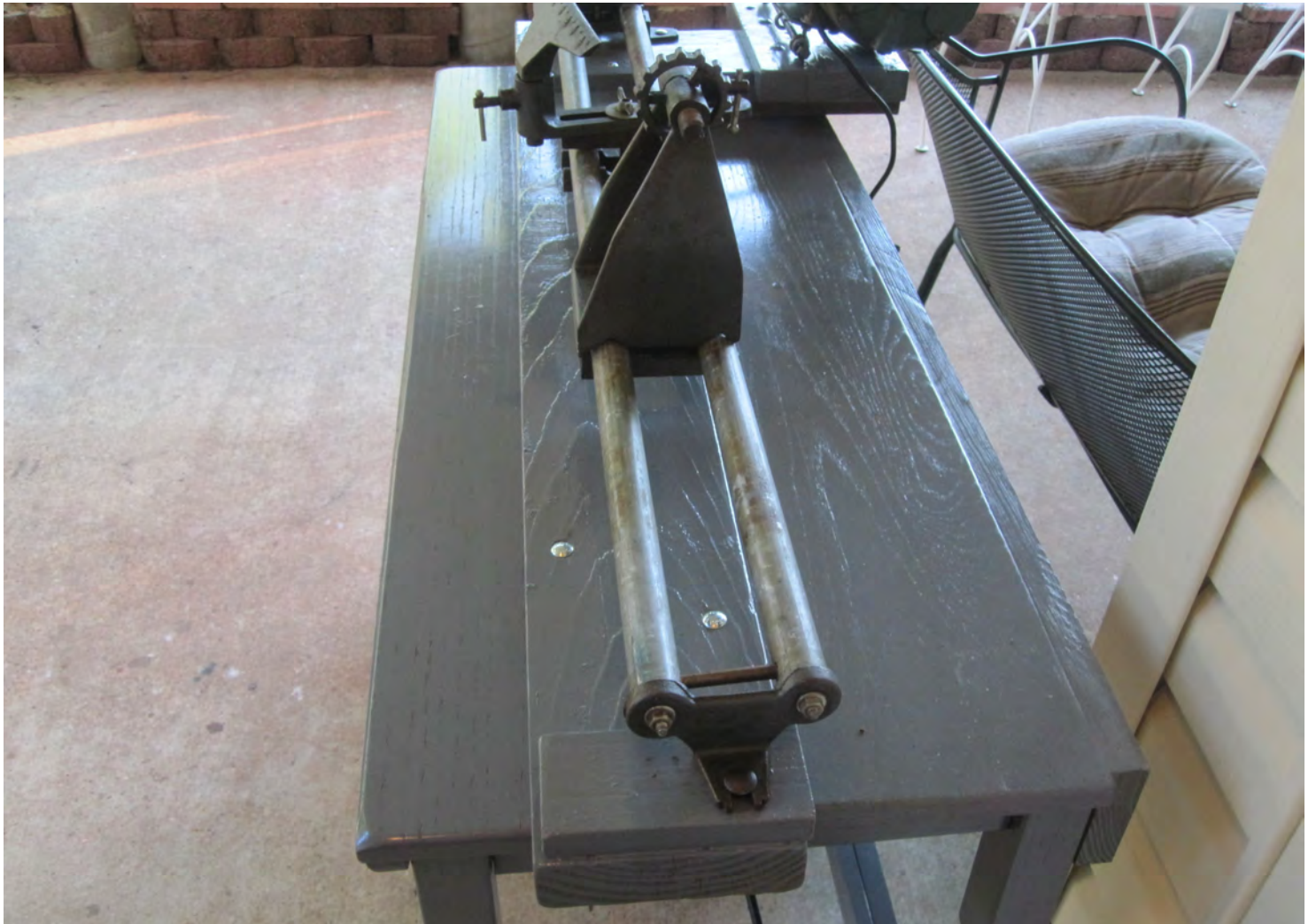
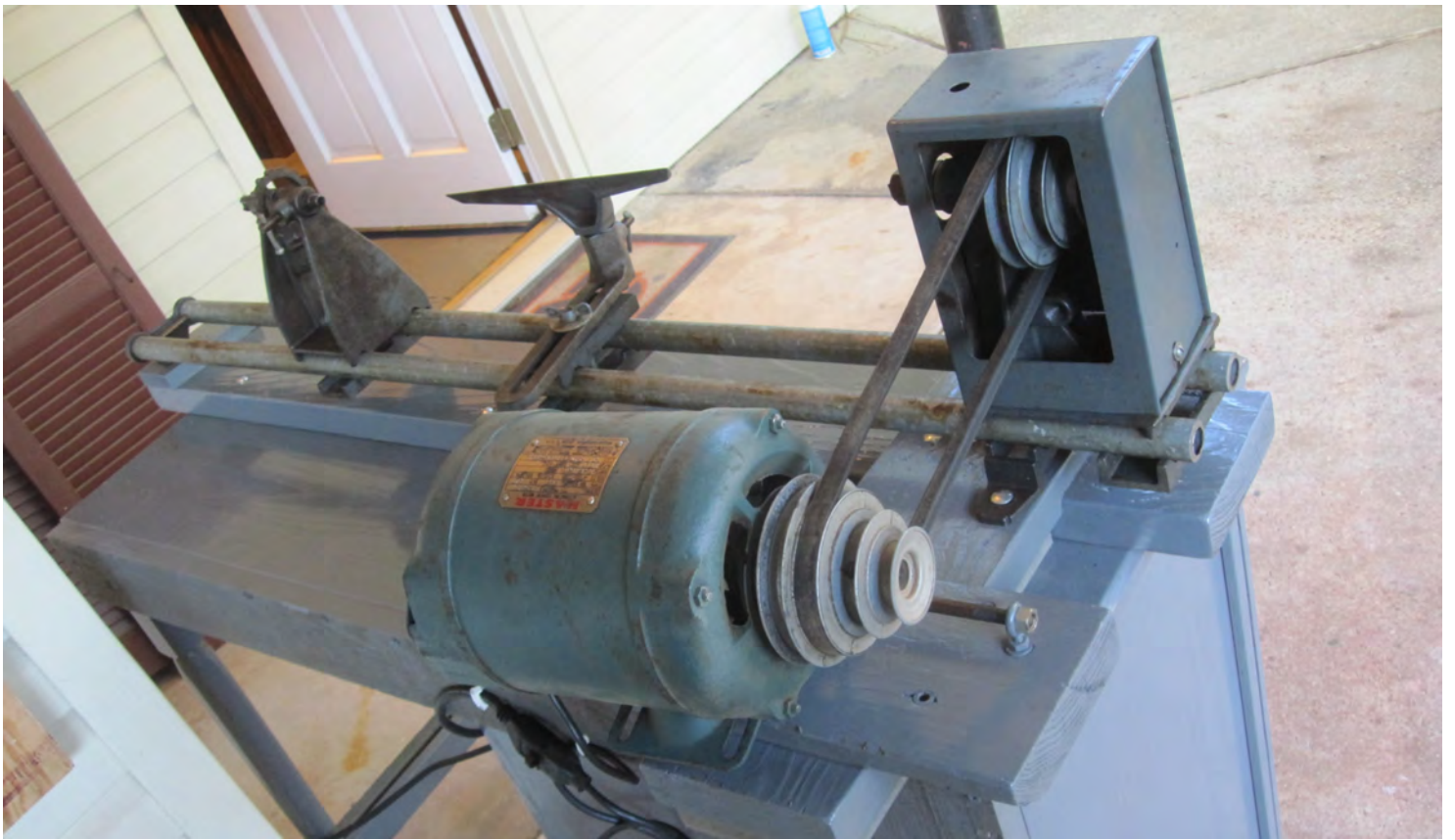




Malcolm's Wood Lathe

Purchased New 1973 and
Refurbished June 2013





OPERATING INSTRUCTIONS AND PARTS LIST FOR WOOD LATHE

Model 273

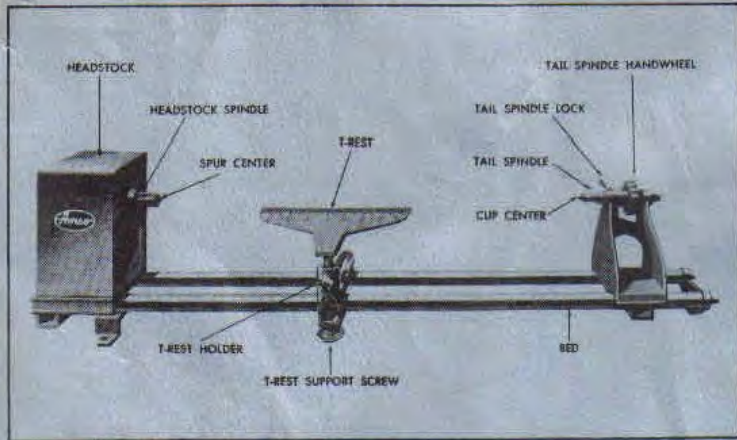


FIGURE 1

Mount the work in the lathe between the two centers adding a small amount of lubricant to the cup center to minimize burning of the wood.

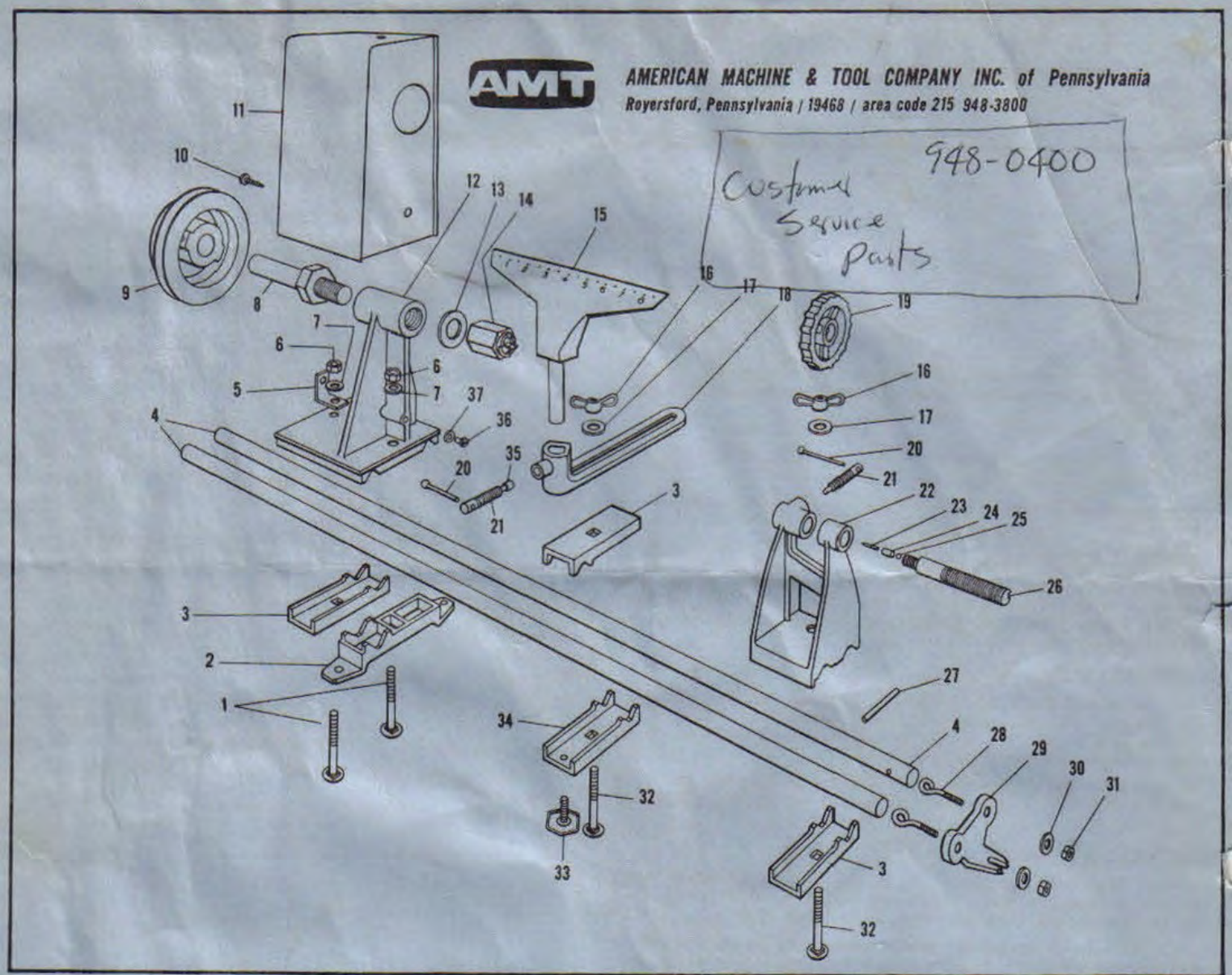
With the tailstock held firmly to the tubular bed, advance the tailstock spindle until the work piece is held firmly. Retract the spindle slightly until the piece turns freely between the centers. Lock the tailstock spindle lock securely to maintain the position of the cup center.

SPEED AND ROTATION

Check the direction of rotation when installing the motor. The spur center must turn counter clockwise when viewed from the tailstock end of the lathe.

Your lathe will give best results under normal conditions when driven by a 1/2 HP—1725 R.P.M. motor. For continuous heavy duty work, a 1/2 HP—1725 motor should be used.

With a three step motor pulley having the same groove dimensions as the spindle pulley the following speeds are recommended.





Desk Purchased from Thrift Shop



Desk Painted Workshop Grey

Wood Lathe Stand – Oldie but goodie. A few months back I replaced my workbench which had my wood lathe built in which would swing down out of the way like an old sewing machine. I seldom used this lathe but did not want to discard it since it was one of the first tools that I purchased. It was a mail order for a AMT Wood Lathe Model 273 and was purchased new in 1973, for \$30 for the Lathe and \$20 for the motor and it has served me well on many projects. With the new workbench <http://lumberjocks.com/projects/82991>

I had no more room inside my workshop so I decided to set it up on the covered porch behind my workshop. I thought about building a stand but decided to buy an old desk or student desk as I called them. I found one for \$45 at a thrift store Maybe before the summer is over my grandkids can turn a baseball bat like their father did when he was their age.

June 2013 Malcolm N. Beasley Sr.